

P Series

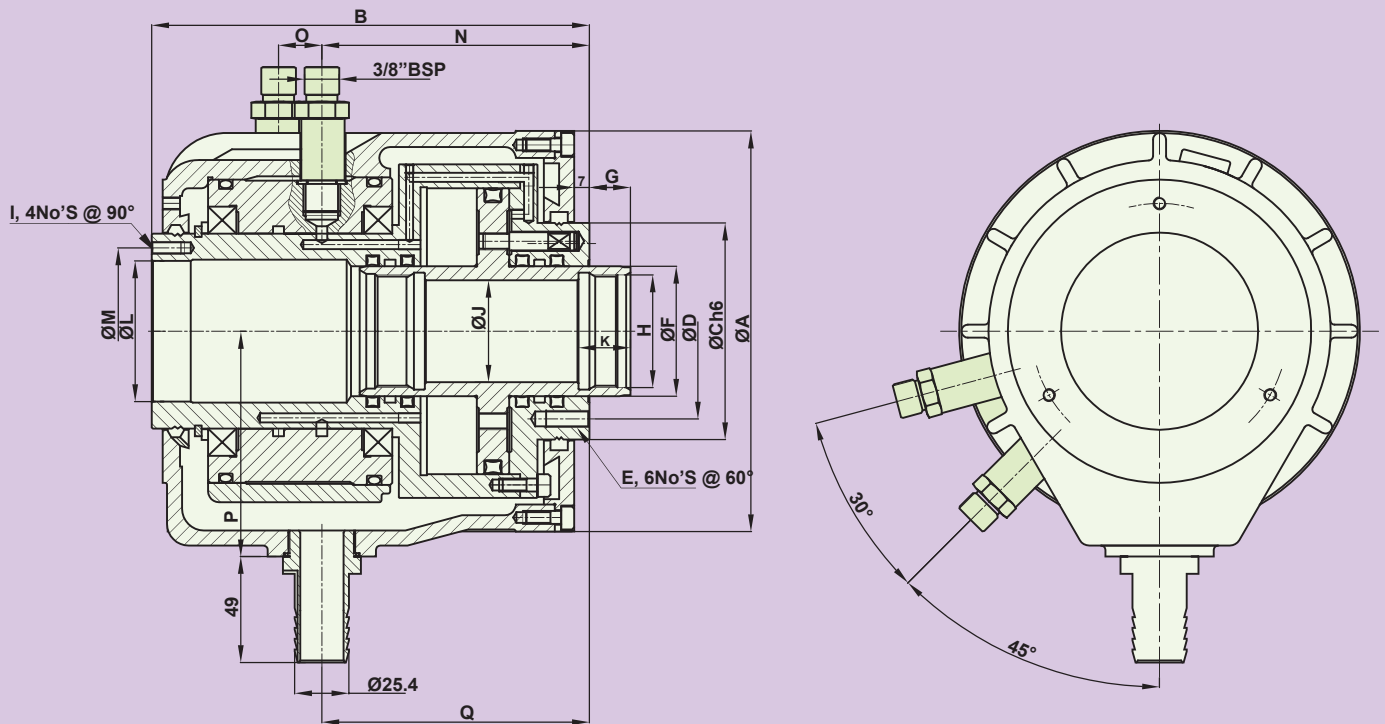


- 5 model covering a range of bore capacities
- Rotary friction less joint for low heat-up and practically no maintenance problems.
- Compact design with aluminium housing for fast heat dissipation.
- This model does not have built-in check valves to safeguard against accidental loss of oil pressure
- Customer is required to access the safety requirements depending on application, where necessary, suitable safety arrangements (like pressure switches, or accumulator) should be provided in hydraulic circuit/.

Products variety in P series:

1. P, Open centre without safety valve without coolant collector and standard product
2. P, Open centre without safety valve, with coolant collector

Typical Data Sheet For P-Series



Model	Max.Pull kg	Pull Area cm ²	Piston Travel mm	Max. Speed rpm	Leakage at 30 bar & 50°C kg	Weight (approx) kg
P-30	870	32.3	15	4000	1	12
P-50	1370	50.6	20	4000	1.5	15
P-80	2200	82.4	20	4200	2	22
P-110	3000	111.3	25	4700	3	29
P-140	3870	143.2	35	2500	4.5	36

Model	ØA H8 mm	ØB H8 mm	ØC h6 mm	E mm	ØF f7 mm	ØG mm	ØH mm	I mm	ØJ mm	ØK mm	ØL H8 mm	ØM mm	ØN mm	ØO mm	P mm	Q mm
P-30	107	173	60	M6	28	10	½"BSP	M5	13	25	22	30	102	18	72	102
P-50	140	200	70	M8	36	14	¾"BSP	M5	20	32	30	40	116	20	83	118
P-80	165	200	82	M8	40	15	1"BSP	M5	27	28	40	51	118	20	92.5	118
P-110	185	206	100	M8	60	19	M52.2x1.5	M6	47	24	65	77	123.5	20	104	123.5
P-140	212	235	125	M8	82	20	2½"BSP	M6	68	40	82	96	153	20	115	153