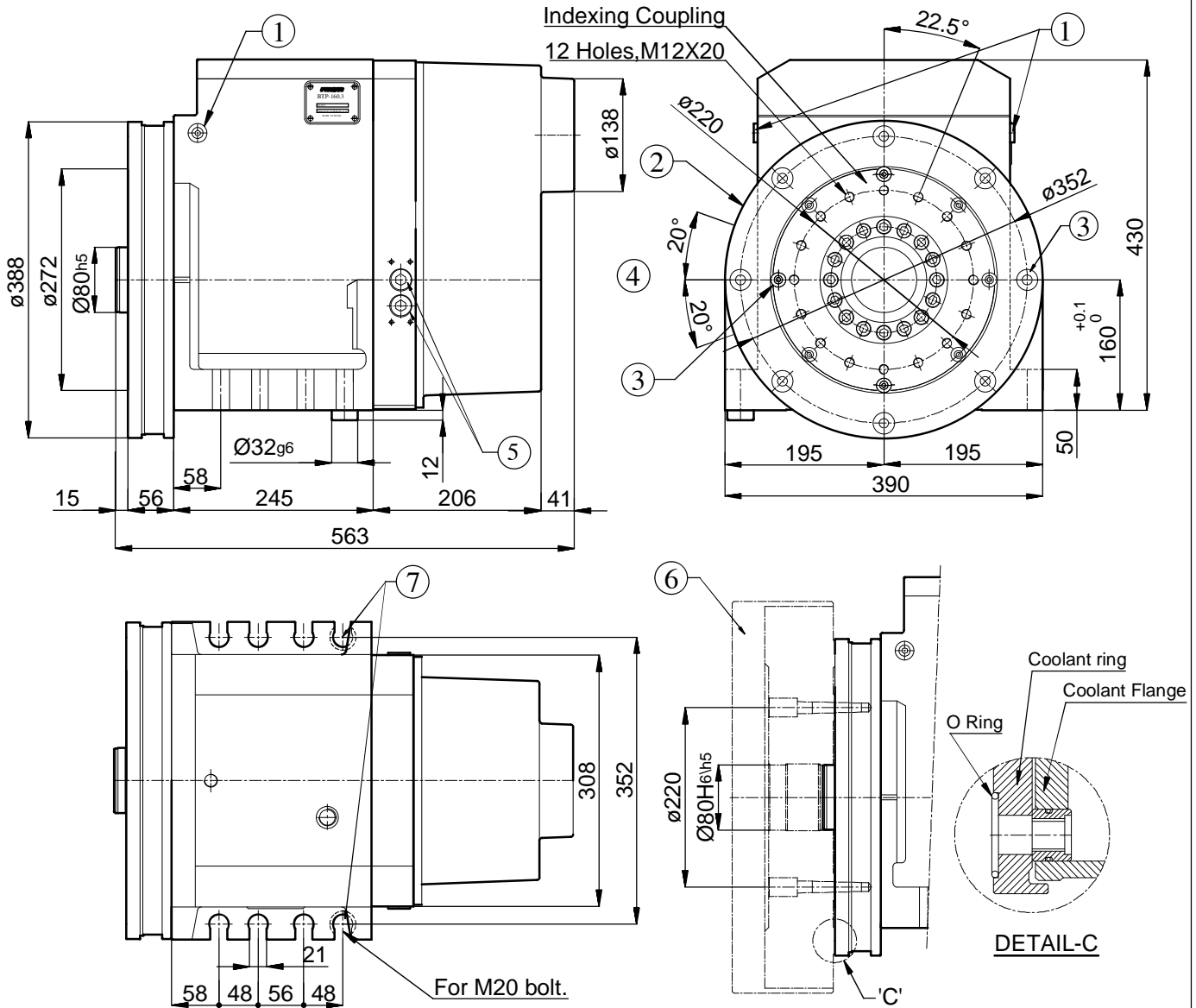


PRODUCT

TOOL TURRET

MODEL

BTP-160-8P

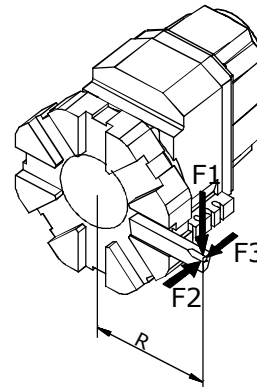


1. Coolant inlet from either side, BSP Thread size 3/8", 2. Coolant flange can be clamped to indexing flange at a suitable angular position depending on the indexing positions, 3. Alternate positions of coolant outlet valve, 4. Adjustment range of coolant outlet valve, 5. Electrical Connection 1/2"BSP, 6. Tool Disc, 7. Turret alignment pin.

Technical Specification.

Inertia of transportable masses		kgm ²	15.0
Indexing time for 8 station.	45°	s	1.00
	90°	s	1.85
	180°	s	3.60
Indexing time for 12 station.	30°	s	1.00
	90°	s	2.70
	180°	s	5.20
Indexing frequency.		min ⁻¹	8
Repeat positioning accuracy.		s	±2
Indexing accuracy.		s	±6
Total weight without Tool disc.		kg	245

Loading details.

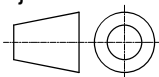


F1 x R	12,000 Nm
F2 x R	16,000 Nm
F3 x R	6,800 Nm

Scale

1:8

Projection



PRAGATI AUTOMATION PVT. LTD.

BANGALORE

Date

10.12.15

Drawing No.

DB51