

**PSS Series**



- 4 model covering a range of pulling force.
- Compact design with high-strength aluminium components for long life and low moment of inertia.
- Designed for high rotational speeds to suit requirements of modern CNC lathes.
- Fitted with built in, pilot operated check valves; to retain pressure in the event of hydraulic failure.
- Working pressure up to 40bar.

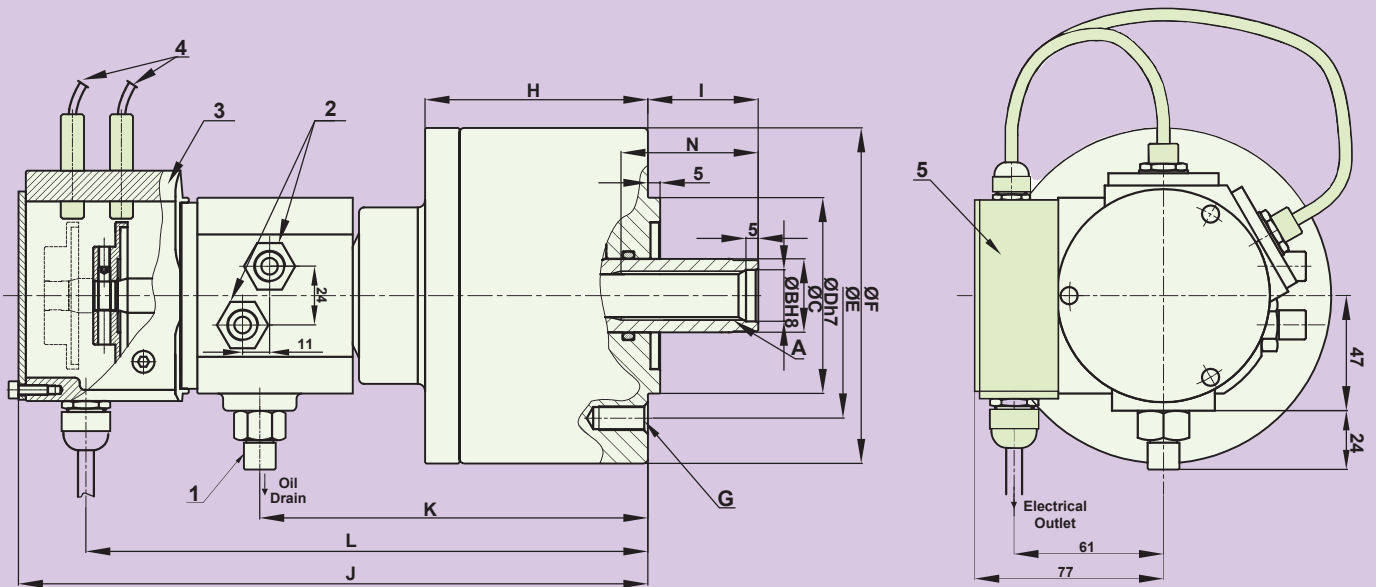
**Products variety in PSS series:**

1. PSS Closed centre with safety valve with proximity sensors - standard product.

2. PSS, Closed centre with safety valve, without proximity sensors and housing.

3. Above combinations with rotary coolant union  
Ask for details

**Typical Data Sheet For PSS-Series**



1. Connector (1/4" BSP) 2. Connectors (3/8" BSP) 3. Proximity Housing 4. Proximity Switches 5. Connector Box

Model	Max.Pull kg	Pull Area cm <sup>2</sup>	Piston Dia mm	Piston Travel mm	Max. Speed rpm	Leakage at 30 bar & 50°C kg	Weight (approx) kg	GD <sup>2</sup> kg-m <sup>2</sup>
PSS-1020	2800	79	105	20	6000	0.8	10	0.0129
PSS-1225	4000	113	125	25	6000	0.8	12	0.0264
PSS-1530	5700	160	150	30	5500	0.8	15	0.053
PSS-2035	10150	290	200	35	5500	0.8	25	0.1629

Model	ØA H8 mm	ØB H8 mm	ØC h6 mm	ØD h7 mm	ØE mm	ØF mm	ØG mm	H	ØI max	ØI min	ØJ mm	ØK mm	ØL mm	M mm
PSS-1020	M20x2.5	21	30	80	100	137	6-M10x20	91	45	25	257	158.5	229.5	56
PSS-1225	M24x3.0	25	35	110	130	162	6-M12x24	99	51	26	265	166.5	237.5	44
PSS-1530	M30x3.5	31	45	110	130	190	12-M12x24	104	56	26	270	171.5	242.5	55
PSS-2035	M36x4.0	37	55	120	145	245	12-M16x30	126	70	35	300	192.5	263.5	65